



# Product Line Sheet



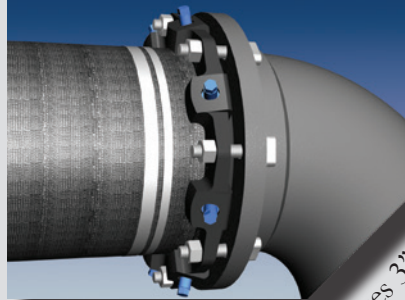
[www.ebaa.com](http://www.ebaa.com)  
[contact@ebaa.com](mailto:contact@ebaa.com)

# Ductile Iron Pipe Restraints

## Series 1100

Mechanical Joint Restraint for Ductile Iron Pipe

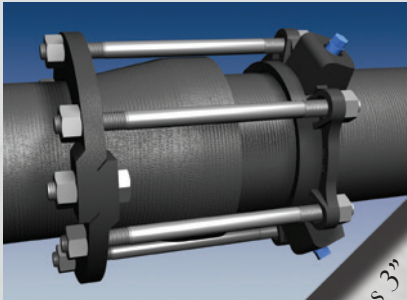
MEGALUG®



Sizes 3" - 54"

## Series 1700

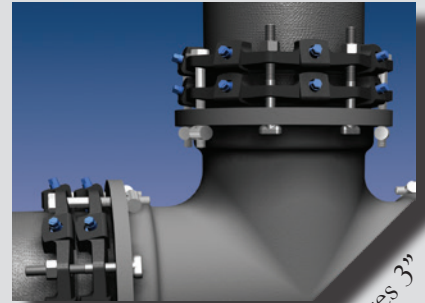
MEGALUG Restraint for Push-On Joints on Ductile Iron Pipe



Sizes 3" - 54"

## Series 1100TDM

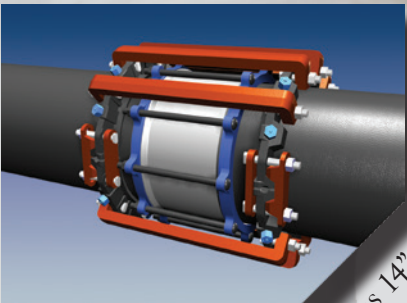
Mechanical Joint Restraint for High Pressure on Ductile Iron Pipe



Sizes 3" - 54"

## Series 1100CH

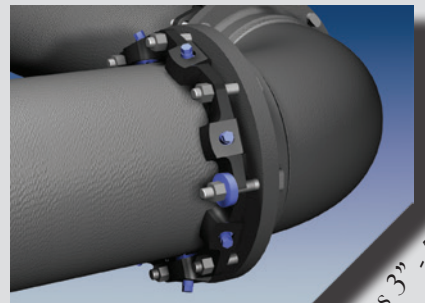
Split Restraint Harness for Couplings



Sizes 14" - 36"

## Series 1100SD

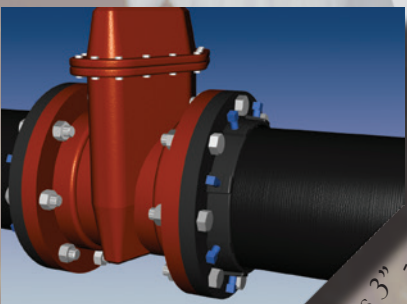
MEGALUG Restraint for Existing Mechanical Joints on Ductile Iron Pipe



Sizes 3" - 54"

## Series 1000

E-Z Flange™  
Ductile Iron Flange Adapter

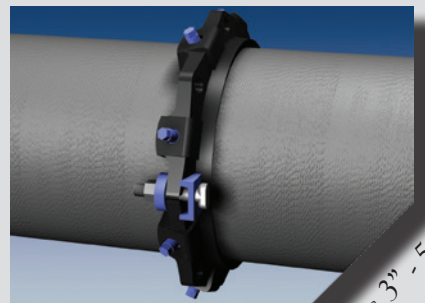


Sizes 3" - 12"



## Series 1100SDB

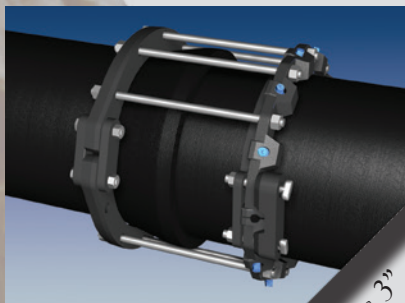
MEGALUG Mid Span Restraint for Ductile Iron Pipe



Sizes 3" - 54"

## Series 1100HD

MEGALUG Restraint for Existing Push-On Joints on Ductile Iron Pipe



Sizes 3" - 54"

See 2100 MEGA-FLANGE®  
for larger sizes and higher pressure ratings, back page.

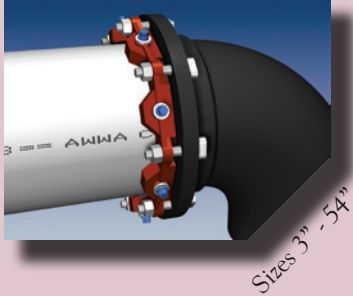
EBAA Iron Sales, Inc.

P.O. Box 857 Eastland Texas 76448 • 254.629.1731 • 800.433.1716 • FAX 254.629.8931 • www.ebaa.com

# PVC Pipe Restraints

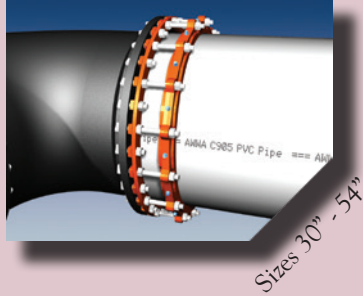
## Series 2000PV

Mechanical Joint Restraint on C900, C905 and IPS PVC Pipe



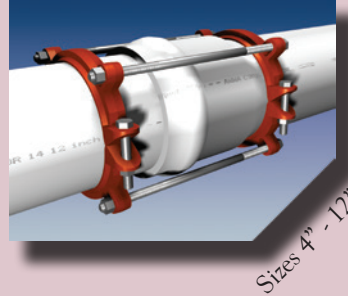
## Series 2200

Mechanical Joint Restraint on Large Diameter C905 PVC Pipe



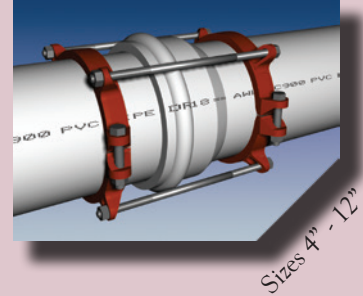
## Series 1500

Bell Restraint Harness for C900 PVC Pipe



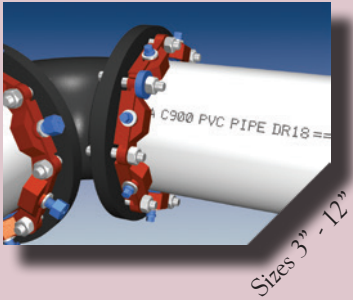
## Series 1900

Bell Restraint Harness for C900 and C909 PVC Pipe



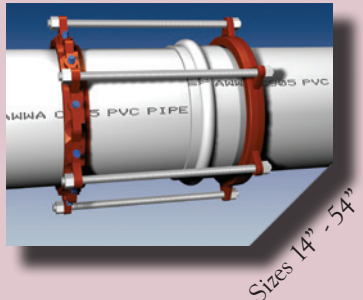
## Series 2000SV

Restraint for Existing Mechanical Joints on C900 and IPS PVC Pipe



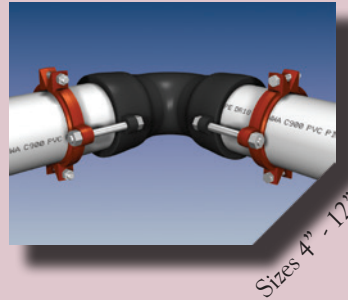
## Series 2800

Bell Restraint Harness for C905 PVC Pipe



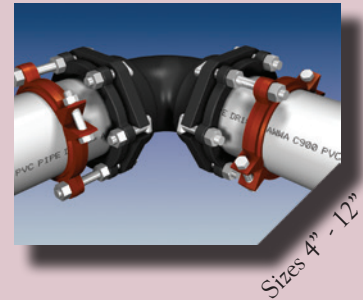
## Series 15PF00

Restraint for C900 PVC Pipe at Push-On Fittings



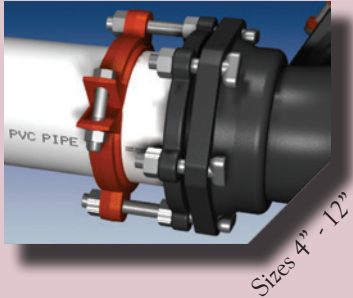
## Series 65MJG00

Restraint for IPS OD PVC Pipe at Mechanical Joint Fittings



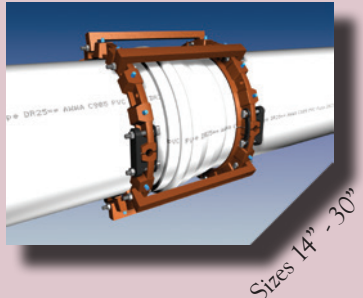
## Series 15MJG00

Restraint for C900 PVC Pipe at Mechanical Joint Fittings



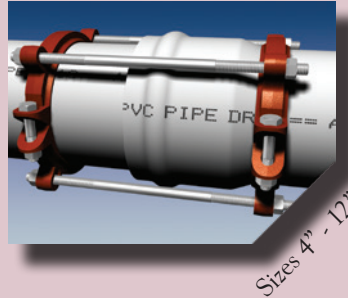
## Series 1100HV

Restraint for Existing Push-On Joints on C905 PVC Pipe



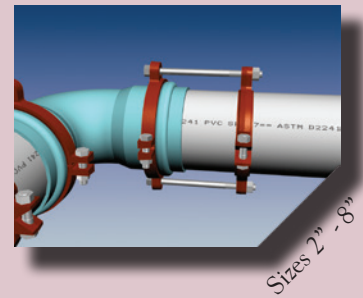
## Series 1600

Bell Restraint Harness for C900 PVC Pipe



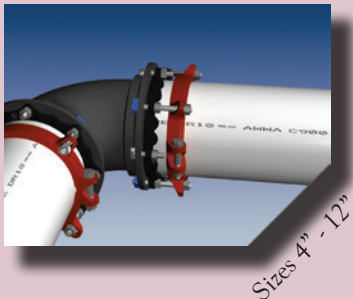
## Series 7500

Restraint for IPS OD (Class) PVC Pipe at PVC Fittings



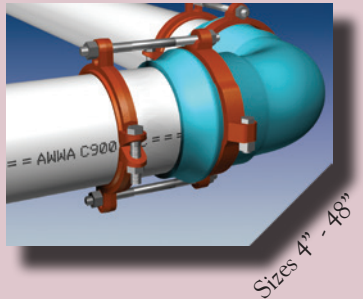
## Series 19MJG00

Restraint for C909 PVC Pipe at Mechanical Joint Fittings



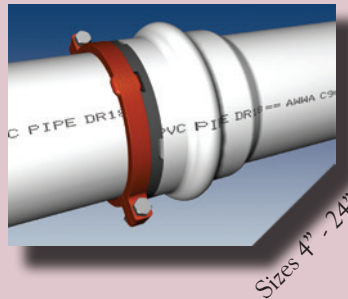
## Series 2500

Restraint for PVC Pipe at PVC Fittings



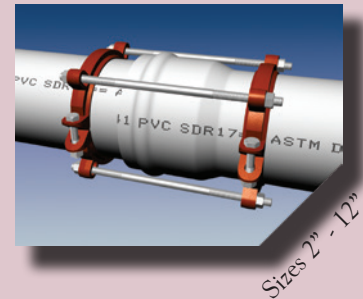
## Series 5000

PVC Bell Protection System



## Series 6500

Bell Restraint Harness for IPS OD (Class) PVC Pipe

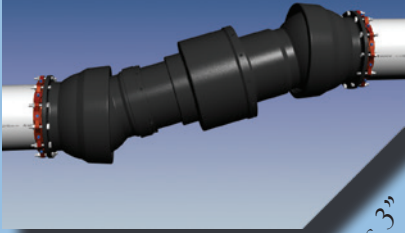


## FLEX-TEND

### FLEX-TEND®

Flexible Expansion Contraction Joint

Now available in a **FORCE BALANCE** configuration. See the web site for more information.



Sizes 3" - 48"

### EX-TEND®

Expansion Contraction Joint

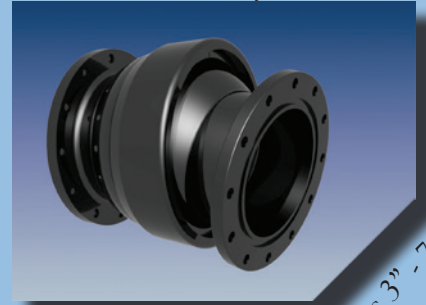


Now available in a **FORCE BALANCE** configuration. See the web site for more information.

Sizes 3" - 48"

### FLEX-900®

Flexible Ball Joint



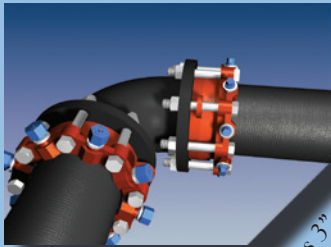
Sizes 3" - 72"

## Flange Adapter

### Series 2100

Restrained Flange Adapter

MEGAFLANGE®



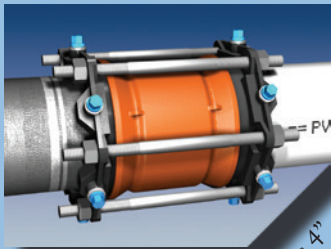
Sizes 3" - 48"

## Coupling

### Series 3800

Restrained Coupling

MEGA-COUPLING®



Sizes 4" - 54"

## Dual Pipe Restraints

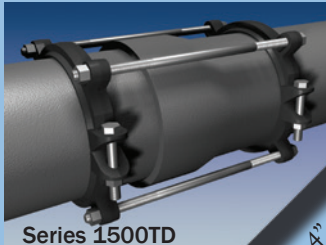
### Series 1500TD

### Series 1600TD

### Series 15PF00TD

Restraint Harness for both Ductile Iron Pipe and C900 PVC Pipe

TRU-DUAL®



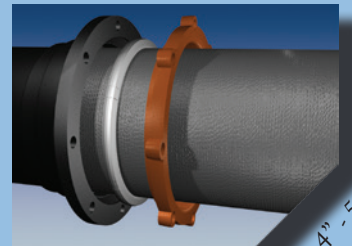
Series 1500TD

Sizes 4" - 12"

## M.J. Gaskets

### EBAA-Seal™

Improved Mechanical Joint Gasket



Sizes 4" - 54"

## Meter Covers

### EBAA-COVER™

Ductile Iron Meter Cover



## EBAA IRON Sales, Inc.

P.O. Box 857, Eastland, TX 76448

Tel: (254) 629-1731

Fax: (254) 629-8931

(800) 433-1716 within US and Canada

[www.ebaa.com](http://www.ebaa.com)

contact@ebaa.com

